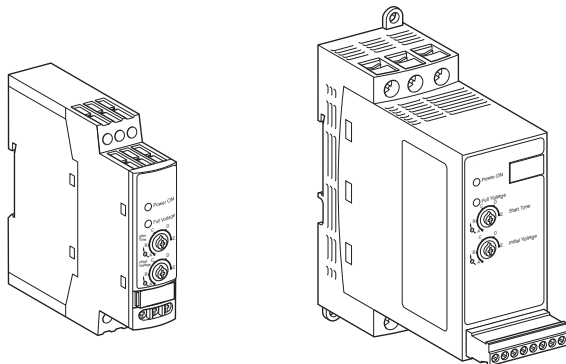




00162468515059

Altistart ATS 01N1●●FT



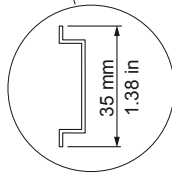
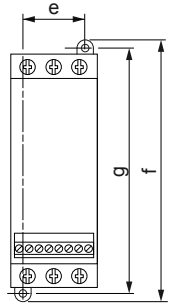
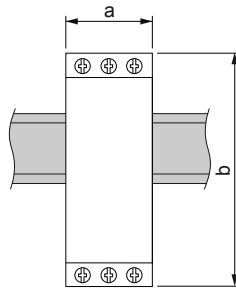
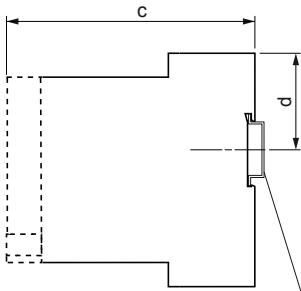
⚠ ⚠ DANGER

HAZARD OF ELECTRIC SHOCK, EXPLOSION, OR ARC FLASH

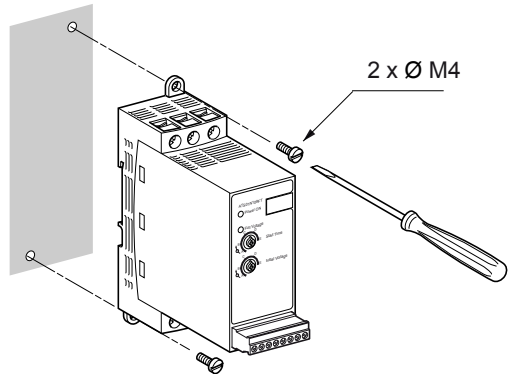
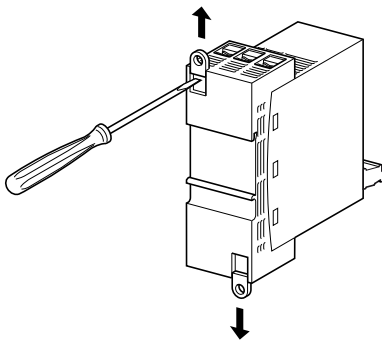
- Only appropriately trained persons who are familiar with and understand the contents of this manual and all other pertinent product documentation and who have received safety training to recognize and avoid hazards involved are authorized to work on and with this soft starter system. Installation, adjustment, repair, and maintenance must be performed by qualified personnel.
- The system integrator is responsible for compliance with all local and national electrical code requirements as well as all other applicable regulations with respect to grounding of all equipment.
- Many components of the product, including the printed circuit boards, operate with mains voltage. Do not touch. Use only electrically insulated tools.
- Do not touch unshielded components or terminals with voltage present.
- AC voltage can couple voltage to unused conductors in the motor cable. Insulate both ends of unused conductors of the motor cable.
- Before performing work on the soft starter system:
 - Disconnect all power, including external control power that may be present.
 - Place a "Do Not Turn On" label on all power switches.
 - Lock all power switches in the open position.
- Install and close all covers before applying voltage.


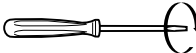
Failure to follow these instructions will result in death or serious injury.


Electrical equipment should be installed, operated, serviced, and maintained only by qualified personnel. No responsibility is assumed by Schneider Electric for any consequences arising out of the use of this product. © 2013 Schneider Electric. All Rights Reserved.



	a	b	c	d	e	f	g
	mm	mm	mm	mm	mm	mm	mm
	in	in	in	in	in	in	in
ATS 01N103FT	23	100	100	50	/	/	/
ATS 01N106FT	0.9	3.94	3.94	1.97	/	/	/
ATS 01N109FT	45	124	131	53	30	145	133
ATS 01N112FT	1.8	4.9	5.1	2.1	1.2	5.7	5.2
ATS 01N125FT							



					
		[mm ²]	AWG	Nm	lb/in
<ul style="list-style-type: none"> ⊗ 24 V ⊗ CL2 ⊗ CL1/0 	ATS 01N103FT ATS 01N106FT ATS 01N109FT ATS 01N112FT ATS 01N125FT	≤ 2,5	≤ 14	0,8	7
<ul style="list-style-type: none"> ⊗ 1/L1 ⊗ 3/L2 ⊗ 5/L3 ⊗ 2/T1 ⊗ 4/T2 ⊗ 6/T3 	ATS 01N103FT ATS 01N106FT	≤ 2,5	≤ 14	0,8	7
	ATS 01N109FT ATS 01N112FT ATS 01N125FT	≤ 10	≤ 8	1,9...2,5	7...22

UL  CLASS J	
ATS 01N103FT	10 A
ATS 01N106FT	20 A
ATS 01N109FT	30 A
ATS 01N112FT	35 A
ATS 01N125FT	75 A

